

Part number

MHVR 48 L40



Brief description:

hoods for single lever, size "104.62" 180°C version, top entry, M40, 180 °C version, IP65

Product description		General ordering information	
Version	180 °C version	EAN13 code	8015747152754
Series	hoods for single lever	Tariff number	85369095
Product type	with 2 pegs	Packaging Information	
Variant	top entry	Packaging length	190,00 mm
Family	CLASS enclosures	Packaging height	140,00 mm
Size	size "104.62" 180°C version	Packaging width	290,00 mm
Technical data		Packaging weight	2,70 kg
Operating temperature range (min, max)	-40°C ... +180°C	Packaging volume	7,71 dm ³
Material	metal	Packaging description	Carton box
IP degree of protection	IP65	Packaging quantity	4 Pcs
Cable entry	M40	Packaging EAN code	8015747003483
Further technical details		Sub-packaging weight	0,68 kg
Weight	675,00 g	Sub-packaging description	Plastic pakaging
		Sub-packaging quantity	1 Pcs
		Sub-packaging EAN barcode	8015747003759

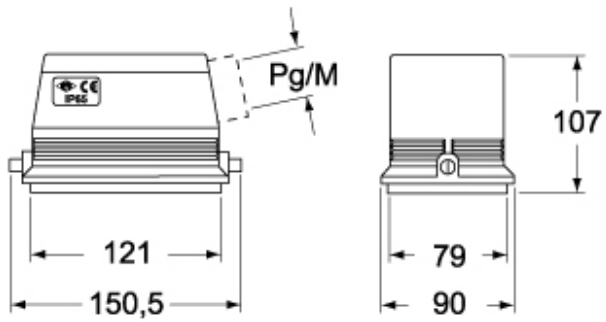
Part number

MHVR 48 L40



Catalogue drawings

CHOR L - MHOR L



CHVR L - MHVR L

